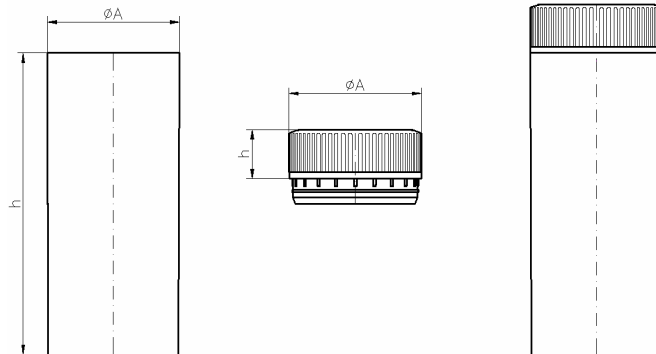




## Sprinkle Bowl

Plastic bowl with sprinkling insert  
For sprinkable food

### Design



Description	Illustration	ØA	h	Hole Pattern
Sprinkle Bowl		<b>42,0 mm</b> ±0,5 mm	<b>95 mm</b>	-
Sprinkling Insert 6x6mm		<b>42,0 mm</b> ±0,5 mm	<b>15,3 mm</b>	
Sprinkling Insert 31x3mm		<b>42,0 mm</b> ±0,5 mm	<b>15,3 mm</b>	

### Material

PP (Polypropylene)

### Colours

Sprinkle bowl  
Sprinkling insert white  
Cover cap white, red, blue, green  
Other colours on demand

### Special Properties

- Certified food-grade materials and components
- The sprinkling insert is sealed by means of a three-language label „take off here“

A legally binding warranty for specific features or fitness for a certain application cannot be derived from the information given above. Existing rules and regulations are to be observed at the responsibility of the user.